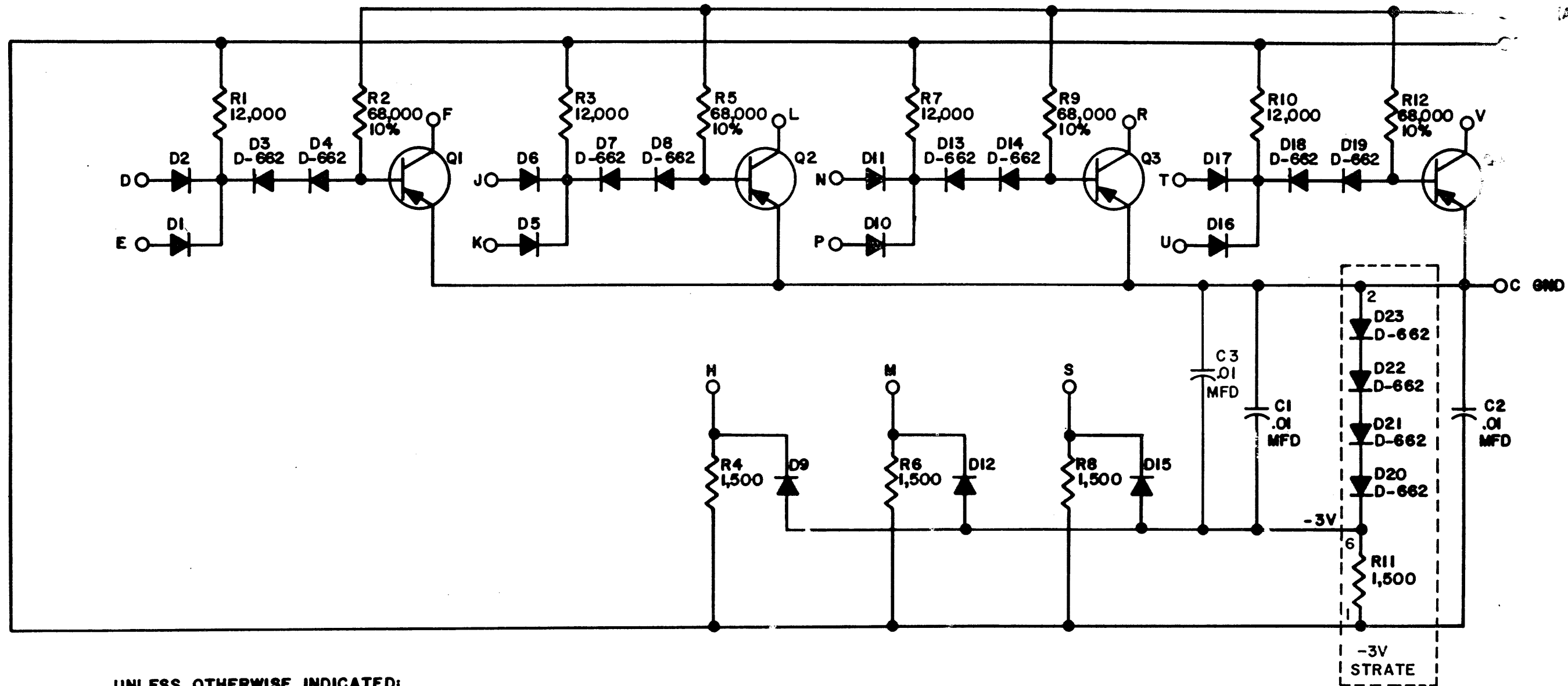


THIS SCHEMATIC IS FURNISHED ONLY FOR TEST AND MAINTENANCE PURPOSES. THE CIRCUITS ARE PROPRIETARY IN NATURE AND SHOULD BE TREATED ACCORDINGLY. COPYRIGHT 1964 BY DIGITAL EQUIPMENT CORPORATION



UNLESS OTHERWISE INDICATED:
RESISTORS ARE 1/4W; 5%
TRANSISTORS ARE DEC2894-1B
DIODES ARE D-664



REVISIONS	CHK CHG NO. REV.	2
	DAW 5270	
	REV. & REDR.	C
	5387	
	5674	D

DRN.	DATE
H. PORTER	4-29-64
CHK'D	DATE
N. PERRYMAN	5-4-64
ENG.	DATE
B. SCUDNEY	5-4-64
PROD.	DATE

TRANSISTOR & DIODE CONVERSION CHART			
DEC	EIA	DEC	EIA
DEC 2894-1B	NONE		
D662	IN645		
D664	IN3606		

digital
EQUIPMENT CORPORATION
MAYNARD, MASSACHUSETTS

TITLE	DIODE GATE B113		
SIZE	CODE	NUMBER	REV.
B	CS	B113-0-1	D
PRINTED CIRCUIT REV.			C